

5

4

3

2

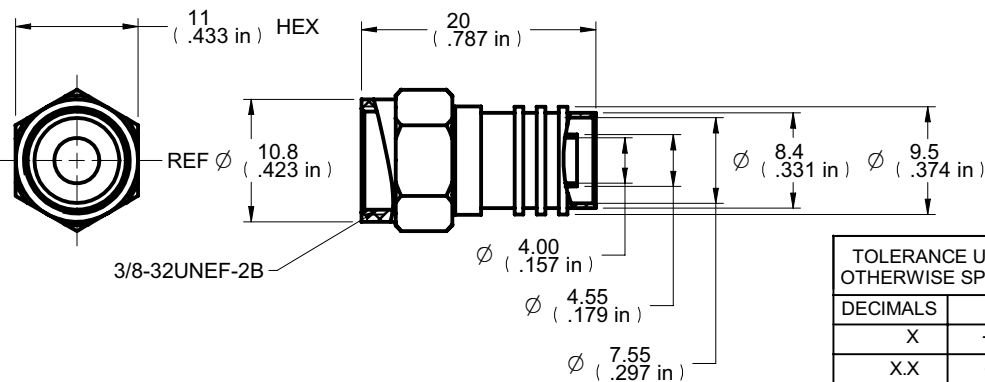
1

受控 CONTROLLED DOCUMENT

编号 P/N	25-7030-CUST	版本 Rev	01	日期 Rel'd Date	Apr29,09
-----------	--------------	-----------	----	------------------	----------

DRAWING NO. 25-7030-CUST				
REVISIONS				
01	OFFICIAL RELEASE			
	03-10-09	Y U	Y U	TH H

Description: F-59 Alm W/Att. 1/2 Ring RG-59
 Part No: 25-7030
 Application: For standard RG-59 Cable
 Crimp Tool: 24-7710 or 24-8866P
 Impedance: 75 Ohms
 Frequency Range: 0-750 MHz
 Material: Body Brass Nickel plated
 Nut Zinc Nickel plated
 RoHS Compliance: Yes
 Technical Detail: Refer to Emerson Document P/N 25-0000



DIM OUTLINE

TOLERANCE UNLESS OTHERWISE SPECIFIED		DRAWN BY	DATE
DECIMALS	mm	BETTY.YU	03-10-09
X	± 0.5	CHECKED BY	DATE
X.X	± 0.3	BETTY.YU	03-10-09
X.XX	± 0.1	APPROVED BY	DATE
ANGLES	± 0.5°	THOMAS	03-10-09
		U/M	mm

EMERSON Network Power
Connectivity Solutions

TITLE
F-59 ALM W/ATT. 1/2 RING RG-59

SHEET 1 OF 1	DRAWING NO. 25-7030-CUST	SIZE A
-----------------	-----------------------------	-----------

THIS DRAWING WAS PRODUCED BY COMPUTER. DO NOT SCALE DRAWING OR UPDATE MANUALLY.

CUSTOMER COPY

D

C

B

A

D

C

B

A

5

4

3

2

1