

5

4

3

2

1

受控 CONTROLLED DOCUMENT

编号 P/N	28-74307-CUST	版本 Rev	01	日期 Rel'd Date	Apr29,09
-----------	---------------	-----------	----	------------------	----------

DRAWING NO.
28-74307-CUST

REVISIONS

01	OFFICIAL RELEASE				
	03-13-09	W	Y	U	TH



Description: 75 OHM UG-914/U BNC Splice

Part No: 28-74307

Application: Adapter

Crimp Tool: N/A

Impedance: 75 Ohms

Frequency Range: 0-2 GHz

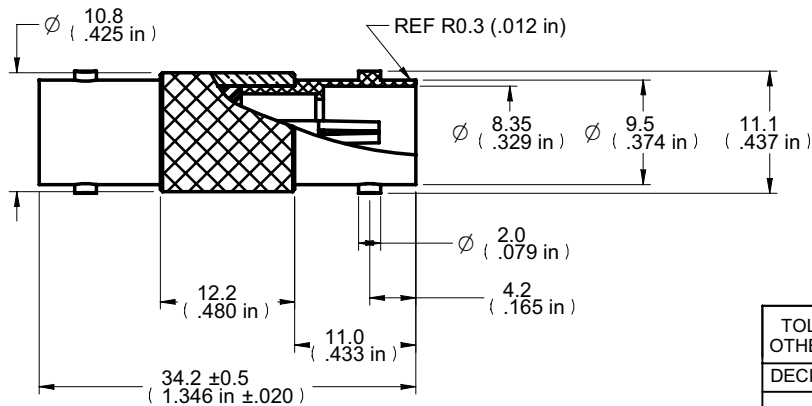
Material: Body Zinc Nickel plated

Contact Beryllium Gold plated

Insulator Teflon

RoHS Compliance: Yes

Technical Detail: Refer to Emerson Document P/N 27-0000



DIM OUTLINE

CUSTOMER COPY

TOLERANCE UNLESS OTHERWISE SPECIFIED		DRAWN BY	DATE
DECIMALS	mm	VON.WANG	03-13-09
X	± 0.5	CHECKED BY	DATE
X.X	± 0.3	BETTY.YU	03-13-09
X.XX	± 0.1	APPROVED BY	DATE
ANGLES	± 0.5°	TOHMAS	03-13-09
		U/M	mm

EMERSON
Network Power

Connectivity Solutions

TITLE
75 OHM UG-914/U BNC SPLICESHEET
1 OF 1DRAWING NO.
28-74307-CUSTSIZE
A

5

4

3

2

1