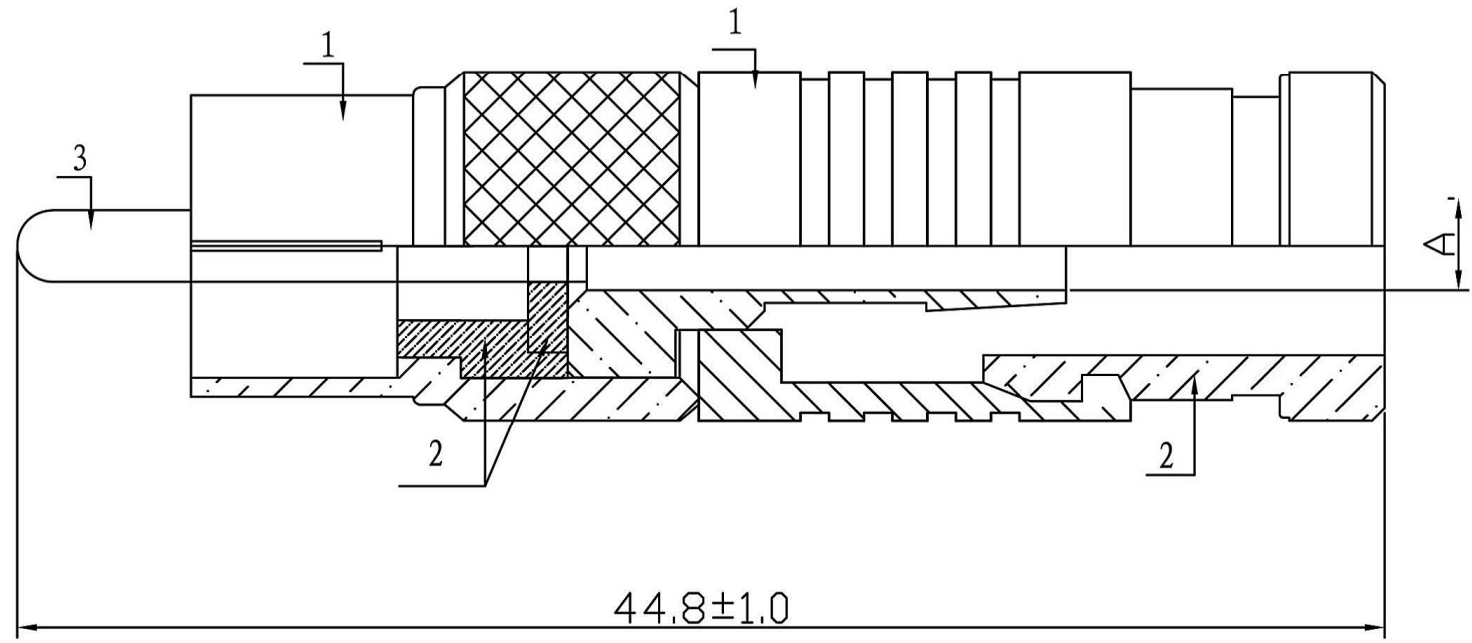


NOTE: ALL MATERIAL COMPLIANT ROHS STANDARD

REVISION INFORMATION

Rev.	Rev. Date	Modified By	Brief Description



A=RG59 □ 4.0-0.15

A=RG6 □ 5.0-0.15



3	PIN	Brass Nickel	1	1
2	INSULATOR	DELRIN	1	1
1	SHELL	ZINC / NICKEL	1	1
NO.	PART NAME	SPECIFICATION DESCRIPTION	QTY	UNIT

DRAWN BY	DATE: 2011/12/31	DESCRIPTION: RCA MALE COMPRESSION	
CHECKED BY	SHEET 1 of 1	ITEM NO. 270307 270313	
APPROVED BY	SCALE 1:1	REV. 00	UNIT: mm

